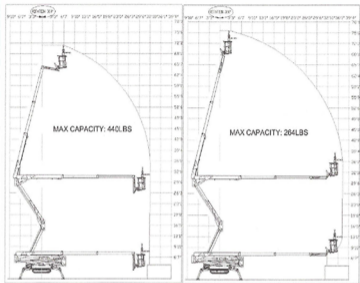


LightLift LL76

Reach Diagram



High Access Solutions

2643 Gravel Drive
Fort Worth, TX 76118
817-243-6800

www.WeReachHigh.com

Quick Information

	<u>Basket Capacity 440lbs</u>	<u>Basket Capacity 264lbs</u>
Platform height	65ft	70ft
Working height	71ft	76ft
Max outreach	33ft	38ft
Length	19ft 6in	
Width (min)	3ft 2 3/4in	
Height	6ft 7 3/4in	
Weight (gasoline)	6,600lbs	
Pressure under tracks	7.0psi	
Pressure under outriggers	43.5psi	

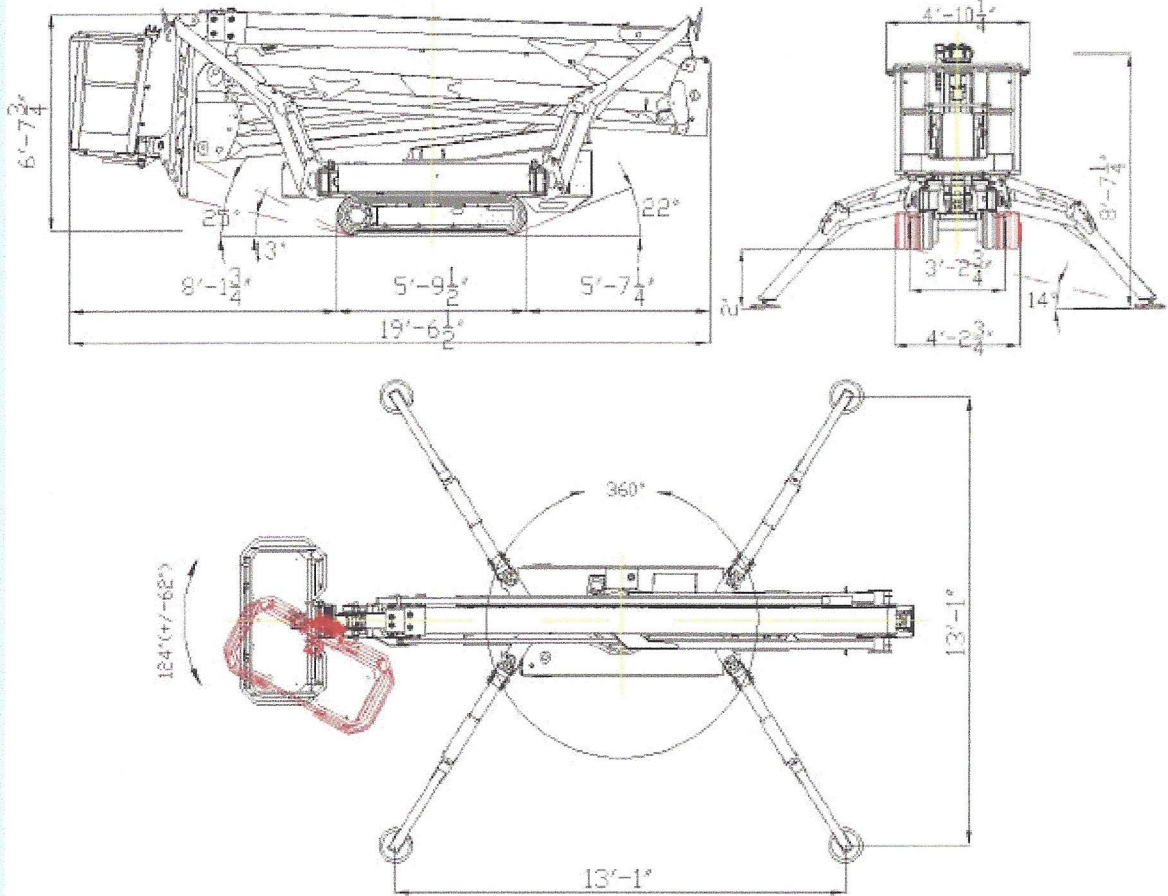
The information and data in the brochures are not considered binding without express confirmation by ReachMaster, Inc. and subject to change without notice.



12.03.08

LightLift LL76

Reach Diagram



High Access Solutions
 1901 McCleskey Ct.
 Fort Worth, TX 76112
 817-243-6800

www.WeReachHigh.com
 info@WeReachHigh.com

Technical Data

Standard Features:

Basket rotation	124° (2*62°)
Turret rotation (non cont.)	360°
Jib type articulated joint	85°
Max stabilization inclination	13°
Gasoline Engine (LL76)	Honda iGX440 – 15HP
Electric system voltage	12V
Max travel speed	0.62mph
Max driving slope	24°
Max wind speed	27.96mph
Max manual force	89.9 pound-force

Other Standard Features:

Emergency lowering system, air to the basket, 110V to the basket, Start and Stop of main motor from the basket, load limiting device, double block valve on the stabilizers, stabilization warning lights, widening undercarriage.

The information and data in this brochure are not considered binding without express confirmation by ReachMaster, Inc. and subject to change without notice

12.03.08

